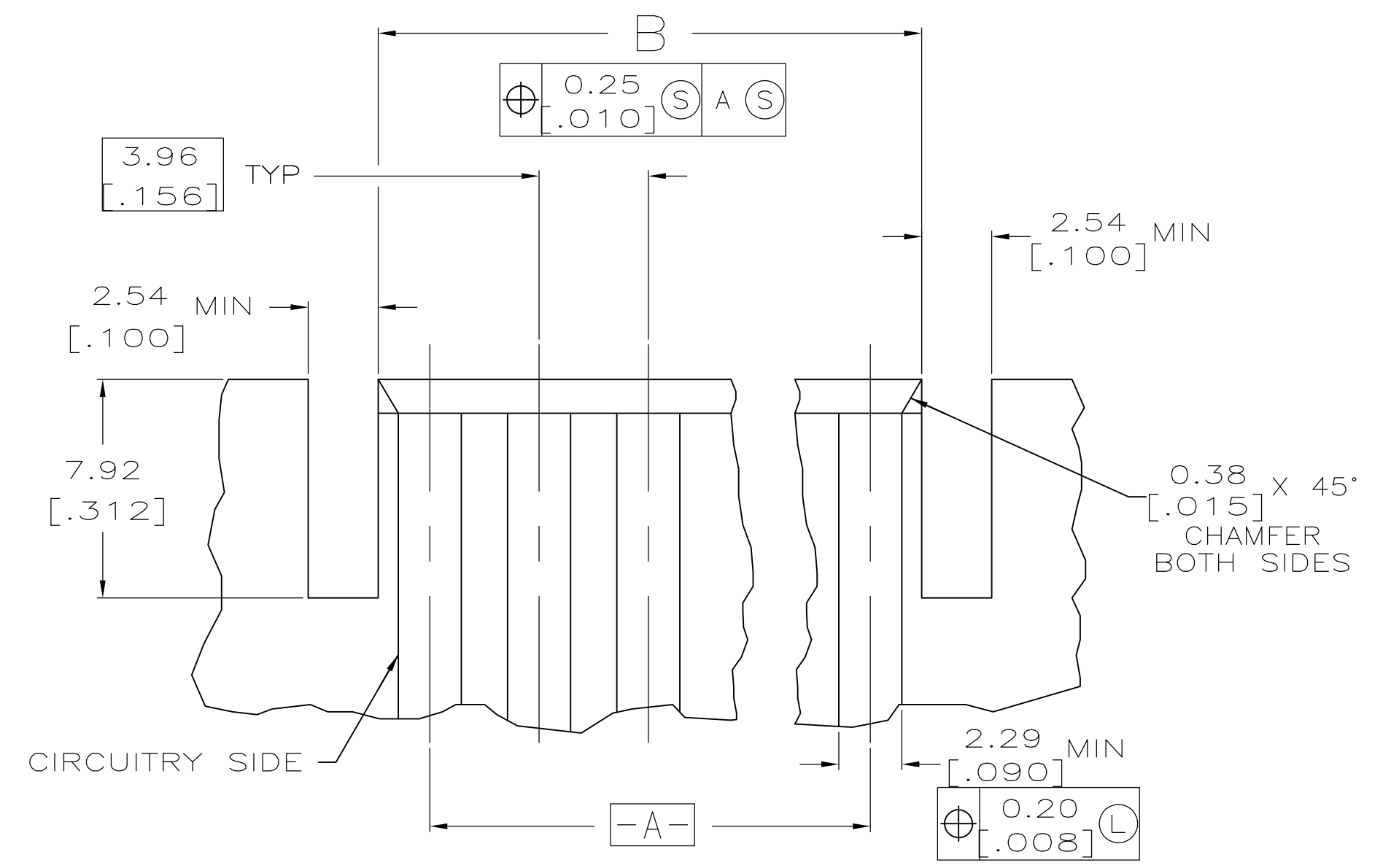
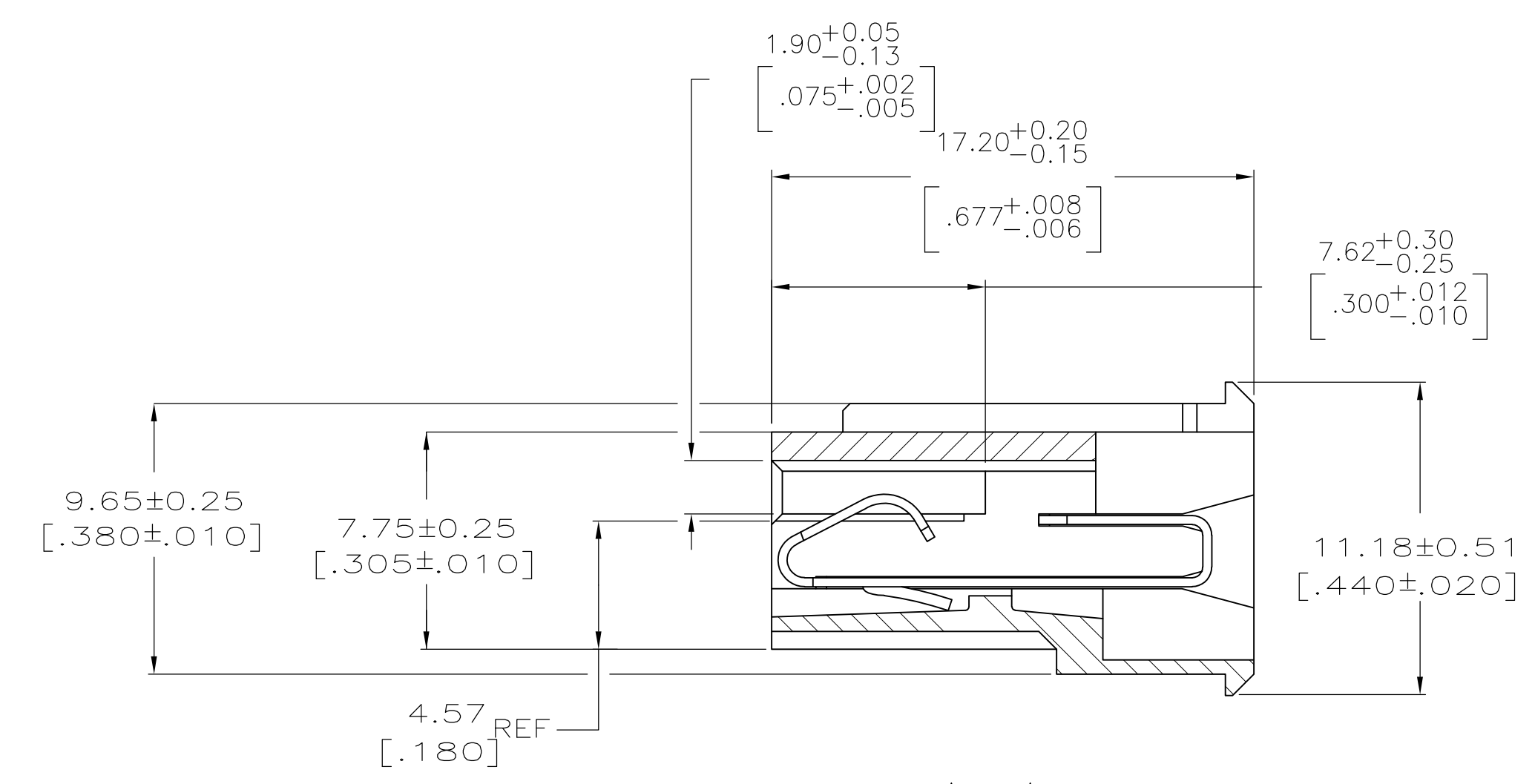
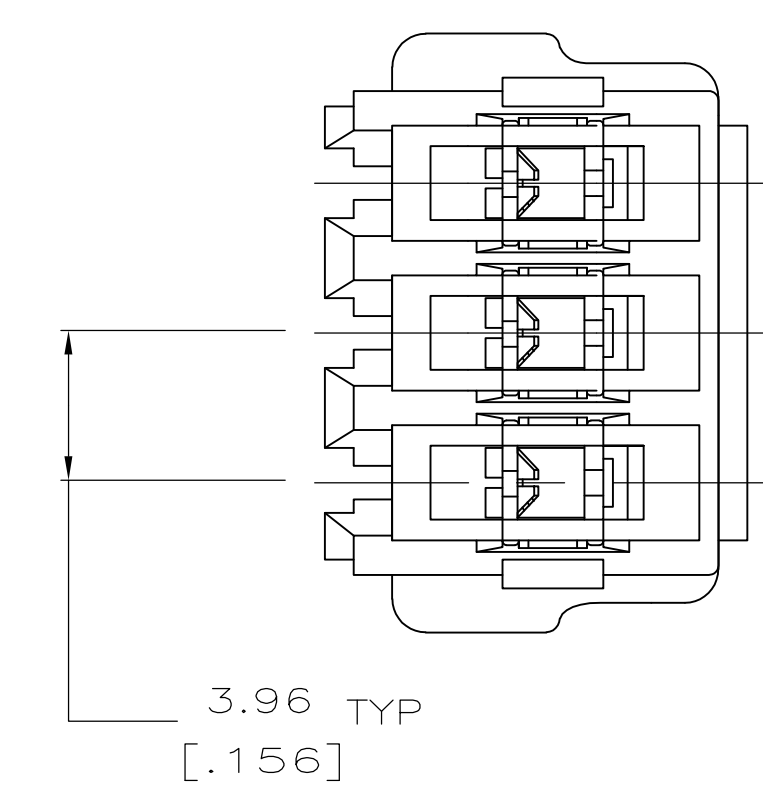
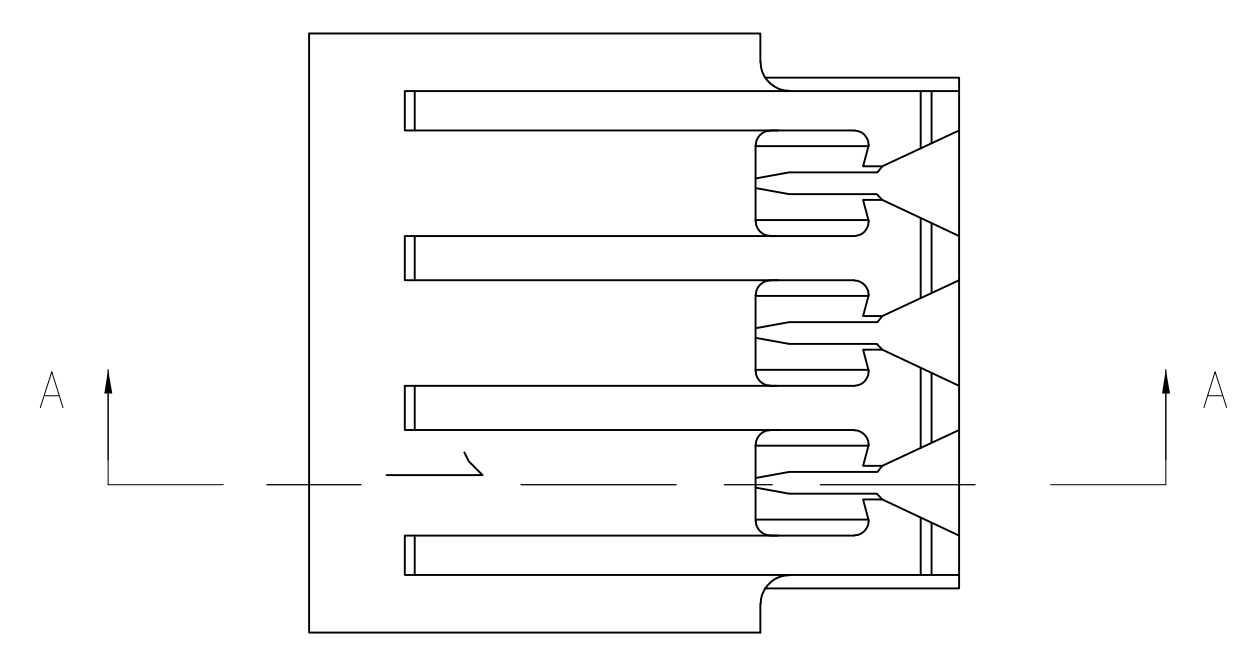
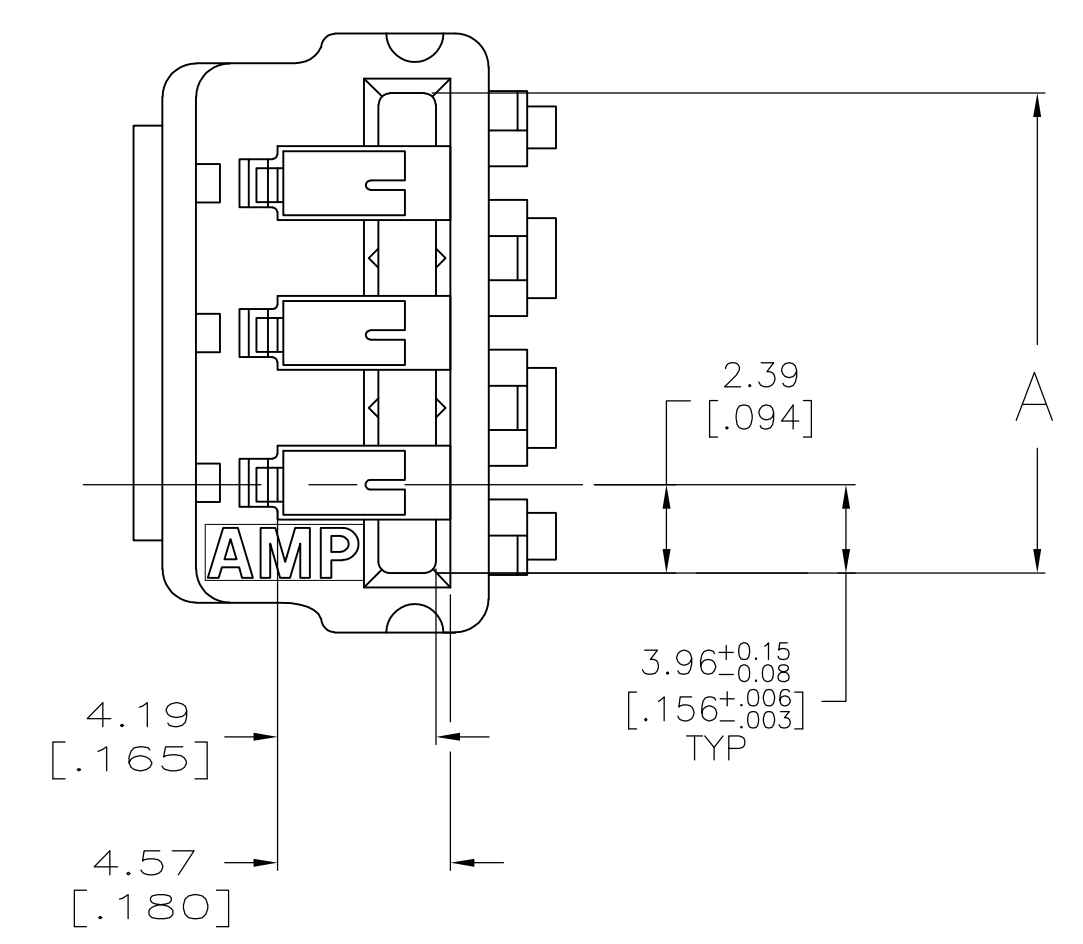


LOC		DIST		REVISIONS			
P	LTR	DESCRIPTION	DATE	DMN	APVD		
S		ECO-07-012897	26JUN07	KW	DB		



- MATERIAL:
CONNECTOR: POLYESTER UL94V-0 (BLUE).
CONTACTS: 0.30 [.012] THK COPPER ALLOY.
 - CONTACT ACCEPT #26 AWG WIRE WITH 2.41 [.095] MAXIMUM INSULATION DIAMETER.
 - CONNECTOR MATES WITH 1.57±0.20[.062±.008] THICK PC BOARD.
 - HOUSING FEATURES: CLOSED END, STANDARD MOUTH WITHOUT MOUNTING EARS.
- ⚠ CONTACT FINISH: BRIGHT TIN-LEAD 0.00203[.000080] MIN THK.
 ⚠ CONTACT FINISH: MATTE WHISKER MITIGATED TIN 0.00203[.000080] MIN THICKNESS OVER NICKEL UNDERPLATE.

⚠	95.50 [3.760]	95.91 [3.776]	24	5-640863-4
	91.54 [3.604]	91.95 [3.620]	23	5-640863-3
	87.58 [3.448]	87.99 [3.464]	22	5-640863-2
	83.62 [3.292]	84.02 [3.308]	21	5-640863-1
	79.65 [3.136]	80.06 [3.152]	20	5-640863-0
	71.73 [2.824]	72.14 [2.840]	18	4-640863-8
	59.84 [2.356]	60.25 [2.372]	15	4-640863-5
	47.96 [1.888]	48.36 [1.904]	12	4-640863-2
	36.07 [1.420]	36.47 [1.436]	9	3-640863-9
	24.18 [.952]	24.59 [.968]	6	3-640863-6
⚠	12.29 [.484]	12.70 [.500]	3	3-640863-3
	95.50 [3.760]	95.91 [3.776]	24	2-640863-4
	91.54 [3.604]	91.95 [3.620]	23	2-640863-3
	87.58 [3.448]	87.99 [3.464]	22	2-640863-2
	83.62 [3.292]	84.02 [3.308]	21	2-640863-1
	79.65 [3.136]	80.06 [3.152]	20	2-640863-0
	71.73 [2.824]	72.14 [2.840]	18	1-640863-8
	59.84 [2.356]	60.25 [2.372]	15	1-640863-5
	47.96 [1.888]	48.36 [1.904]	12	1-640863-2
	36.07 [1.420]	36.47 [1.436]	9	640863-9
24.18 [.952]	24.59 [.968]	6	640863-6	
12.29 [.484]	12.70 [.500]	3	640863-3	
CONTACT FINISH	B	A	NO. OF CIRCUITS	PART NUMBER

THIS DRAWING IS A CONTROLLED DOCUMENT. **TYCO ELECTRONICS** Tyco Electronics Corporation, Harrisburg, Pa 17105-3608

DIMENSIONS: mm [INCHES] TOLERANCES UNLESS OTHERWISE SPECIFIED:

0. PLC	±	-
1. PLC	±	-
2. PLC	±	0.13 [.005]
3. PLC	±	-
4. PLC	±	-
ANGLES	±	-

MATERIAL: SEE NOTE 1 FINISH: SEE NOTE 1 WEIGHT: - SIZE: A1 00779 C=640863 SCALE: 5:1 SHEET: 1 OF 1 REV: S

